



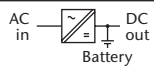
DC / DC Converters

▶ 5.6 kW			▶ 7.5 kW				Cooling	Output VDC	
Input VDC								Adj.	Range
80–160 VDC	Output Amps	160–320 VDC	320–380 ¹⁾ VDC	320–640 VDC	450–800 VDC	Output Amps			
C 5353	350	C 5373	C 5383 Z	C 5373 G	C 5373 K	350	☼	15	14– 16
C 5354	216	C 5374	C 5384 Z	C 5374 G	C 5374 K	288	☼	24	23– 26
C 5355	187	C 5375	C 5385 Z	C 5375 G	C 5375 K	250	☼	28	26– 30
C 5359	102	C 5379	C 5389 Z	C 5379 G	C 5379 K	136	☼	48	45– 55
C 5356	83	C 5376	C 5386 Z	C 5376 G	C 5376 K	110	☼	60	58– 68
C 5357	43	C 5377	C 5387 Z	C 5377 G	C 5377 K	58	☼	110	100– 130
C 5357 J	28	C 5377 J	C 5387 ZJ	C 5377 GJ	C 5377 KJ	38	☼	200	190– 200
C 5358	22.5	C 5378	C 5388 Z	C 5378 G	C 5378 K	30	☼	220	200– 250
C 5358 J	14	C 5378 J	C 5388 ZJ	C 5378 GJ	C 5378 KJ	19	☼	400	380– 400



AC / DC Power Supplies

▶ 7.5 kW						Cooling	Output VDC	
Input VAC, 3-Phase			Output Amps	Adj.	Range			
3x200 ^{+15%} _{-20%}	3x400 ^{+15%} _{-20%}	3x480 ^{+10%} _{-15%}						
C 5363 V	C 5383 V	C 5393 V	350	☼	15	14– 16		
C 5364 V	C 5384 V	C 5394 V	288	☼	24	23– 26		
C 5365 V	C 5385 V	C 5395 V	250	☼	28	26– 30		
C 5369 V	C 5389 V	C 5399 V	136	☼	48	45– 55		
C 5366 V	C 5386 V	C 5396 V	110	☼	60	58– 68		
C 5367 V	C 5387 V	C 5397 V	58	☼	110	100– 130		
C 5367 VJ	C 5387 VJ	C 5397 VJ	38	☼	200	190– 200		
C 5368 V	C 5388 V	C 5398 V	30	☼	220	200– 250		
C 5368 VJ	C 5388 VJ	C 5398 VJ	19	☼	400	380– 400		



Battery Chargers

▶ 7.5 kW						Cooling	Output VDC	
Input VAC, 3-Phase			Output Amps	Nom. Battery Voltage	Range			
3x200 ^{+15%} _{-20%}	3x400 ^{+15%} _{-20%}	3x480 ^{+10%} _{-15%}						
B 5361 V	B 5381 V	B 5391 V	350	☼	12	12– 16		
B 5362 V	B 5382 V	B 5392 V	235	☼	24	24– 32		
B 5364 V	B 5384 V	B 5394 V	115	☼	48	48– 64		
B 5366 V	B 5386 V	B 5396 V	93	☼	60	60– 80		
B 5367 V	B 5387 V	B 5397 V	52	☼	110	110– 145		
B 5368 V	B 5388 V	B 5398 V	26	☼	220	220– 290		

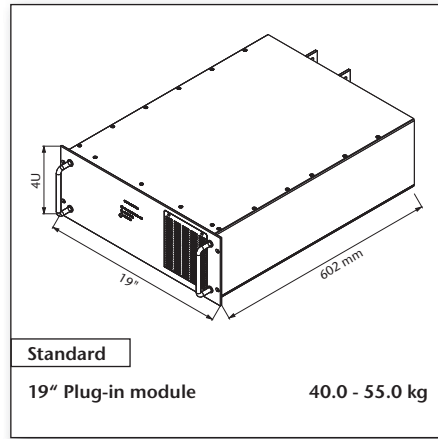
Series specific information

Input

- Hold-up time for AC input: 4ms typical @ nom. input voltage
- ¹⁾ input supply from PFC also suitable

General

- optional: Cooling via speed-controlled fans (depending on temperature)
- ☼ = incl. fans



4U

