

VERDANT JU 802-2

UHF Blade Antenna

JU 802-2 is a UHF broadband antenna designed to be used for communication and navigation. These antennas are designed as low profile, low drag blade antennas with excellent aerodynamic properties. The radiating element is encased in a single piece glass fibre reinforced epoxy radome. This antenna is suitable for subsonic aircrafts, helicopters, as well as UAV. These antennas are qualified for extremely low temperatures up to -70°C



SPECIFICATIONS

ELECTRICAL

Frequency Range	380 MHz - 440 MHz
VSWR	2.0:1 (Max)
Polarization	Vertical
Radiation Pattern	Omnidirectional in azimuth
Impedance RF	50 Ω
Static Protection	DC Grounded
Power RF	80 W CW

MECHANICAL

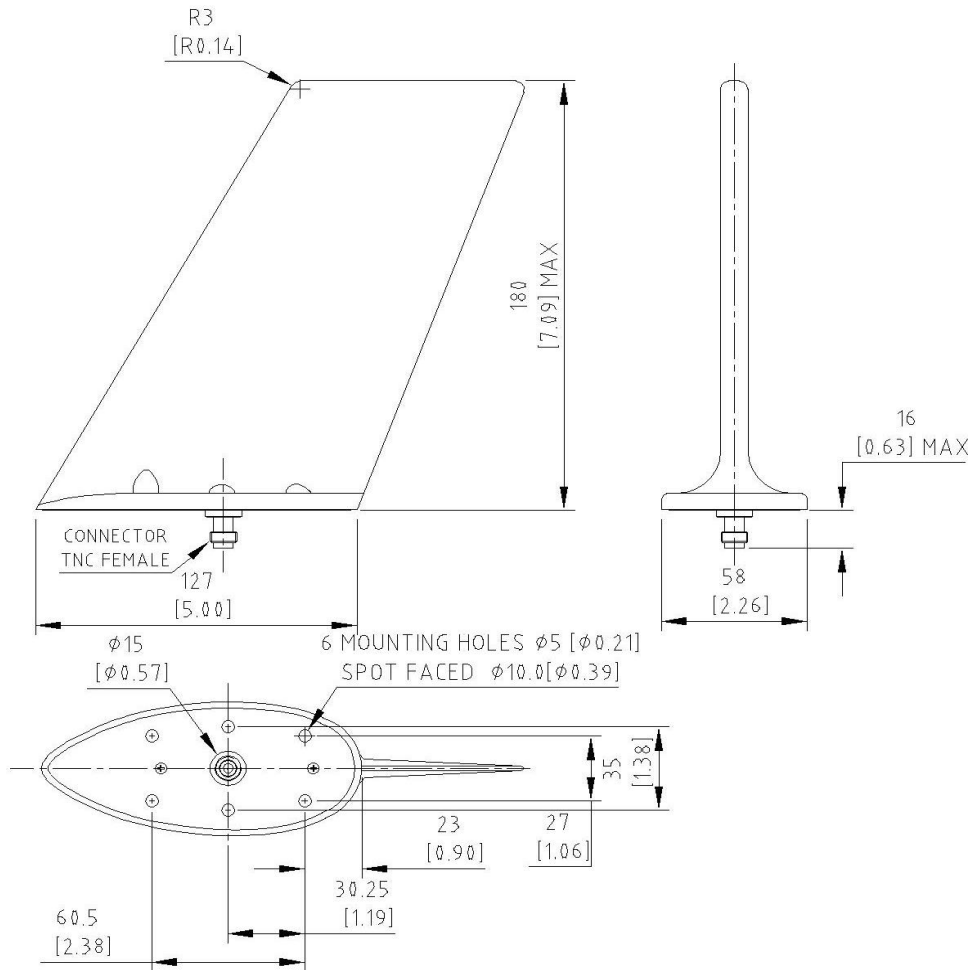
Weight	270 grams (Max)
Height	180 mm (Max)
Material	Glass Epoxy
Finish	Gloss White
Connector	TNC Female

ENVIRONMENTAL

Temperature	-70 °C to +90 °C
Altitude	60,000 feet

*Contact us for your customized requirements

Tests in accordance with MIL 810 F



Dimensions are in mm
Inches shown in bracket

0119 Rev 01

*All data contained herein is subject to change without notice



VERDANT TELEMETRY & ANTENNA SYSTEMS Pvt. Ltd.
COCHIN – 682013, INDIA.
Tel: +91-484-2663104 Fax: +91-484-2663576
e-mail: sales@verdanttelemetry.com
Website : www.verdanttelemetry.com

