



VERDANT JD 401

V/UHF Dipole Blade Antenna

JD 401 is a broadband (VHF/UHF) low profile blade antenna to be used with communication systems. These antennas are designed as low profile, low drag blade antennas ideally suited for helicopter, fixed wing aircrafts and UAV. The fibre reinforced epoxy antenna shell is designed to meet stringent MIL requirements.

SPECIFICATIONS

ELECTRICAL

Frequency Range	20 MHz - 1200 MHz
VSWR	3.5:1 (Max)
Polarization	Vertical
Radiation Pattern	Omnidirectional in azimuth
Impedance RF	50 Ω
Static Protection	DC Grounded
Power RF	25 W

MECHANICAL

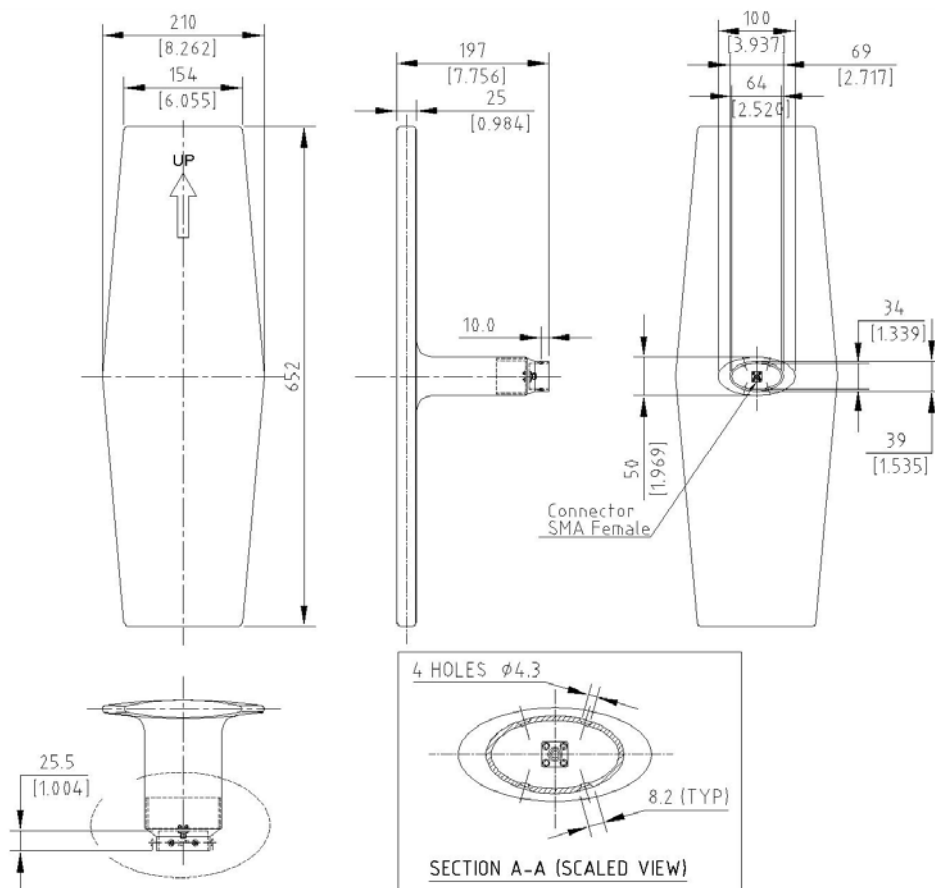
Weight	1450 grams (Max)
Height	198 mm (Max)
Material	Glass Epoxy
Finish	Grey Satin / Gloss
Connector	SMA Female

ENVIRONMENTAL

Temperature	-54°C to +71°C
Altitude	50,000 feet

**Contact us for your customized requirements*

Tests in accordance with MIL 810 F



Dimensions are in mm
Inches shown in bracket

0413 Rev 00



VERDANT TELEMETRY & ANTENNA SYSTEMS Pvt. Ltd.
COCHIN – 682013, INDIA.
Tel: +91-484-2663104 Fax: +91-484-2663576
e-mail: sales@verdanttelemetry.com
Website : www.verdanttelemetry.com

**All data contained herein is subject to change without notice*

