

VERDANT JD 201

VHF/UHF Blade Antenna

JD 201 is a broadband low profile antenna designed to be used with multifunction communication system and DF. These antennas are designed as streamlined low drag blade antennas ideally suited for high speed aircrafts. The antenna radome is single piece glass fibre reinforced epoxy shell designed to meet the stringent MIL standard requirements. This antenna is suitable for helicopters as well as supersonic aircrafts.



SPECIFICATIONS

ELECTRICAL

Frequency Range	110 MHz - 400 MHz
VSWR	2.5:1 (Max)
Polarization	Vertical
Radiation Pattern	Omnidirectional in azimuth
Impedance RF	50 Ω Nominal
Static Protection	DC Grounded
Power RF	35 W

MECHANICAL

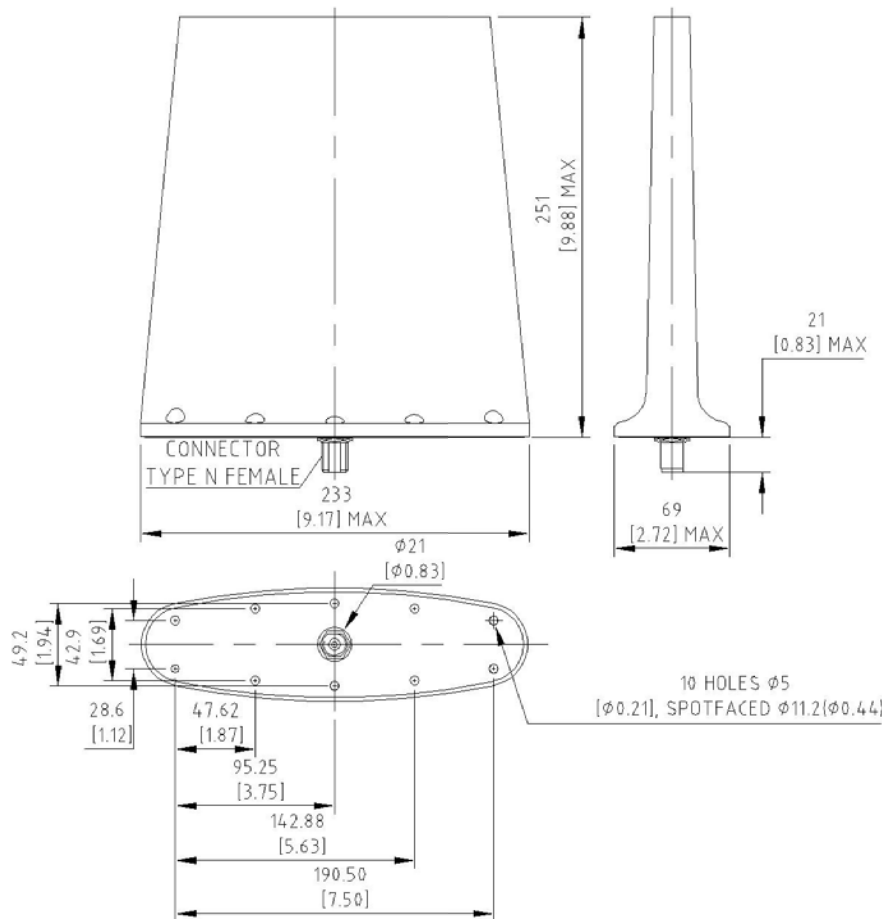
Weight	1000 gram (Max)
Height	251 mm (Max)
Material	Glass Epoxy
Finish	Gloss
Connector	N Type (Standard)

ENVIRONMENTAL

Temperature	-55°C to +90 °C
Altitude	60,000 feet

*Contact us for your customized requirements

Tests in accordance with MIL 810 F



Dimensions are in mm
Inches shown in bracket

0413 Rev 00



VERDANT TELEMETRY & ANTENNA SYSTEMS Pvt. Ltd.
COCHIN – 682013, INDIA.
Tel: +91-484-2663104 Fax: +91-484-2663576
e-mail: sales@verdanttelemetry.com
Website : www.verdanttelemetry.com

*All data contained herein is subject to change without notice

